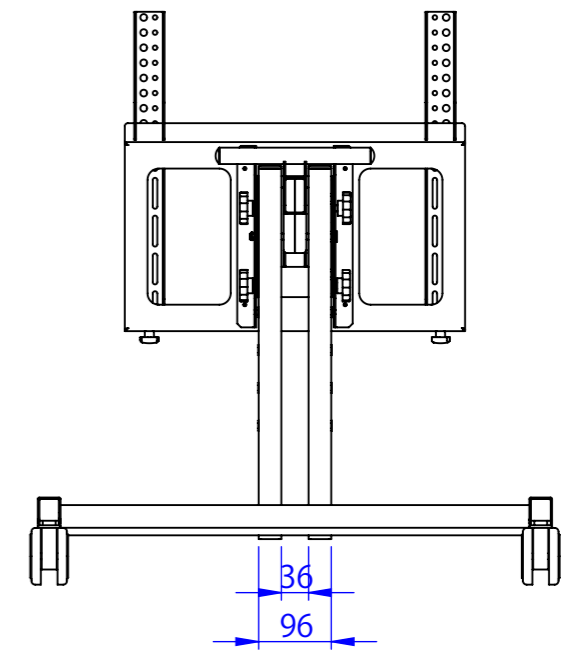
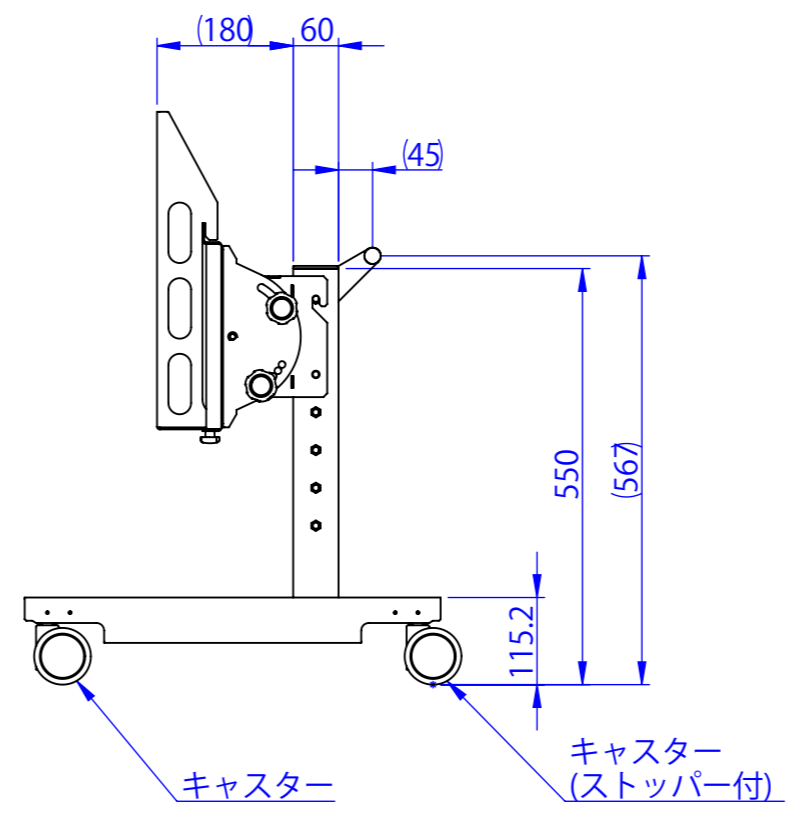
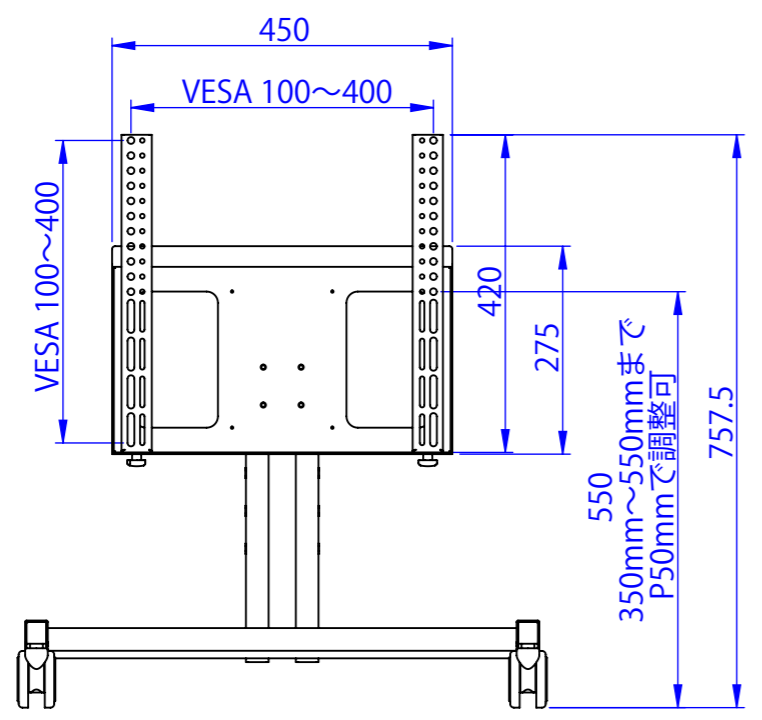
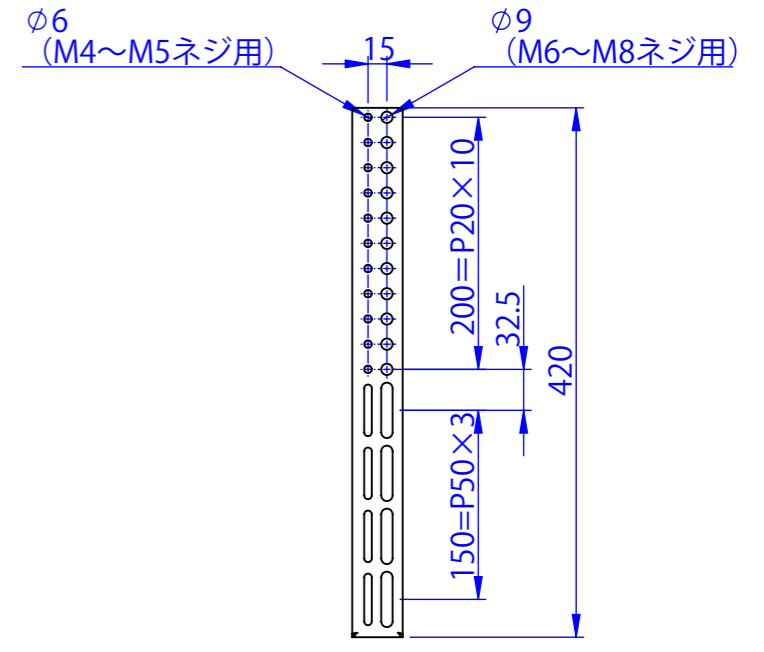
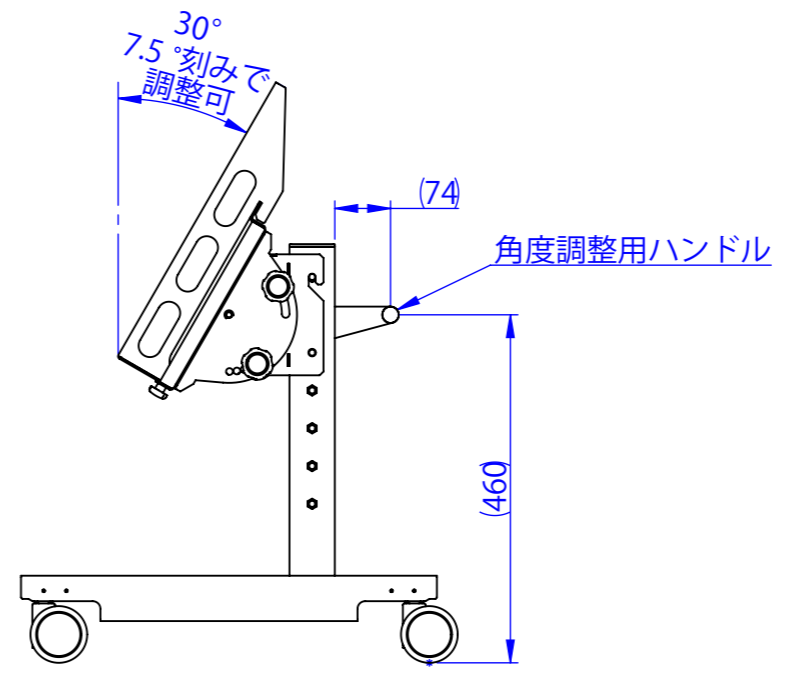
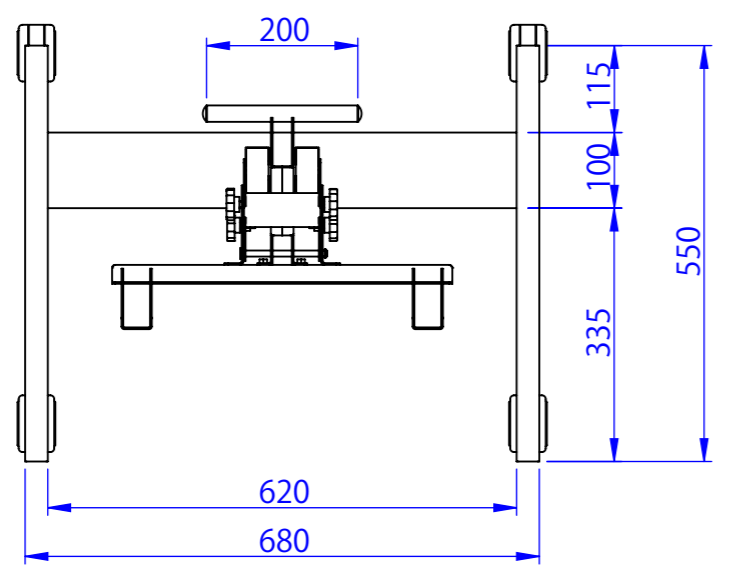


RevNo	Revision note	Date	Signature	Checked



2015/04/20

表面処理 サテンラック

Designed by	Checked by	Approved by - date	Filename	Date	Scale
				15/04/06	1:10
ML-3255				Edition	Sheet
					1/1