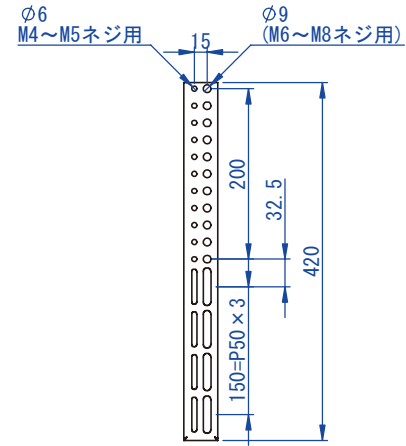
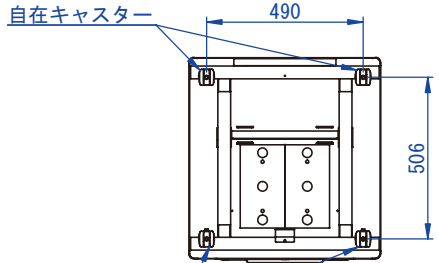
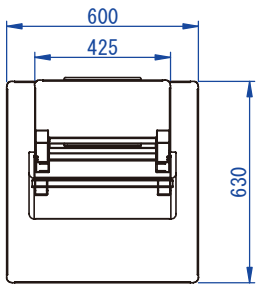
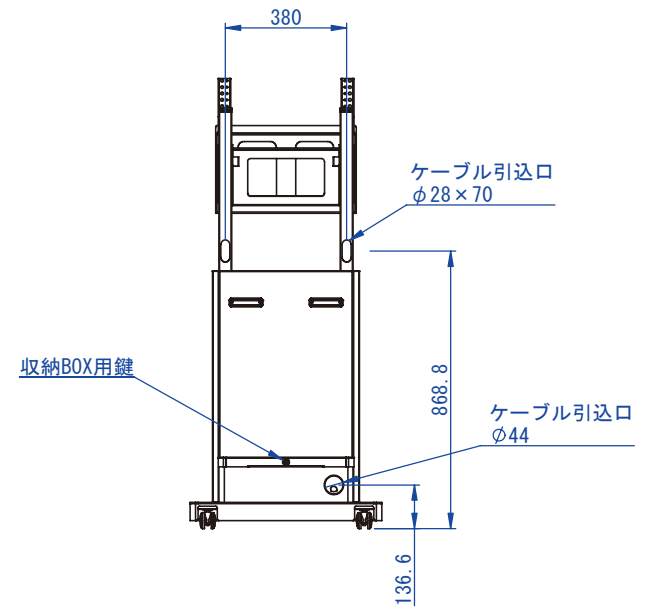
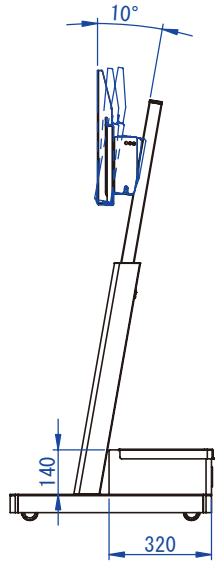
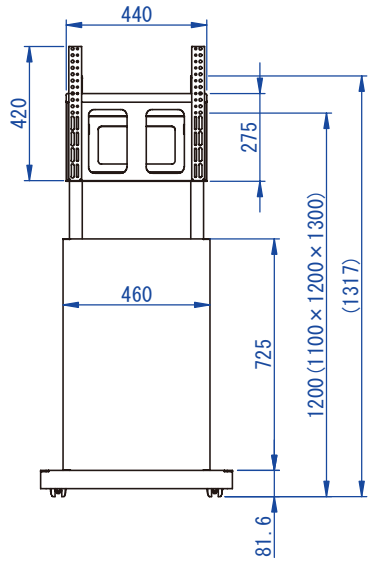


RevNo	Revision note	Date	Signature	Checked



ディスプレイ取付金具詳細



2014/05/12

表面処理 -

Designed by	Checked by	Approved by - date	Filename	Date	Scale
				14/04/01	1:16
DSS-M32*3					
SDDV054G1003				Edition	Sheet
					1/1